



## WMS-12 Walmart® Style Clip Strip® "Economy" Merchandiser

- A Walmart Dept. 82 Approved Impulse Strip Program Product

- 12 Hook Hanging Stations • Hooks Spacing: 1.5625" Apart
- Strip Height: 21" • Header Measures: 2.125" W x 1.375" H
- Perforated Every 3 Hooks
- Made of: 24 mil HDPE (High Density Polyethylene)
- "China-to-China" goods available upon request

### WMS-12 Pricing:

Strip Only: 14¢

Strip With Printed Labels, NOT Applied:

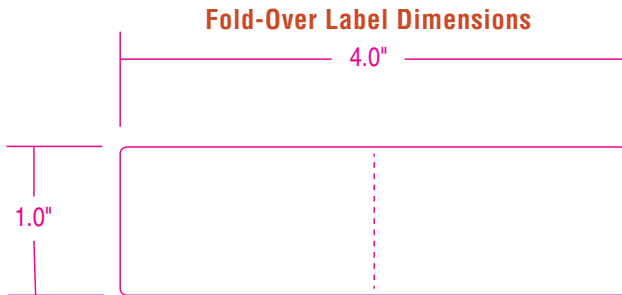
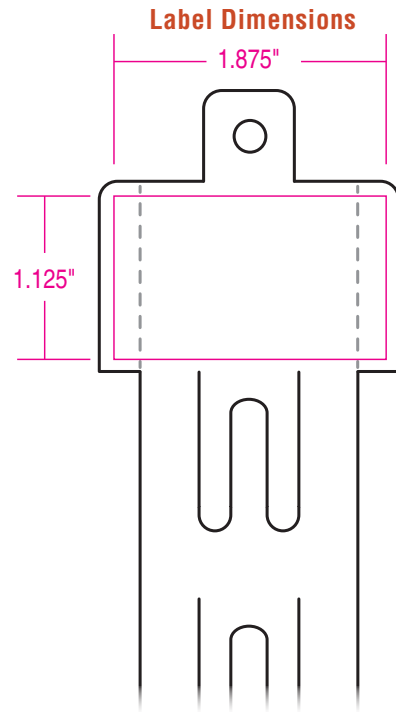
17¢ for Fold-Over Label

18¢ for Two Printed Labels

Strip With Labels, Printed & Applied: 26.5¢

Optional S-Hooks: See below for Pricing

MOQ: 400 Units



All Illustrations (NOT ACTUAL SIZE)

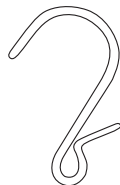
## Walmart Impulse Strip Program Accessories

Description of Product, 00ct 12345678 <b>\$0.00</b>	DEPARTMENT: # Modular Impulse Strip <i>Placed by</i> X00 Dept Name X00 Dept Name

**Fold-Over Printed Label:** Price: .03¢, Pack: 400

Description of Product, 00ct 12345678 <b>\$0.00</b>	DEPARTMENT: # Modular Impulse Strip <i>Placed by</i> X00 Dept Name X00 Dept Name

**Two Printed Labels, Front & Back Included**  
Price: .04¢, Pack: 400 Front / 400 Back



**S-Hook • Item# SH-75**  
Price: .025¢  
Pack: 400

<b>UPON REQUEST</b>
<ul style="list-style-type: none"> <li>• Hang Tabs available.</li> <li>• Strip Product Loading available.</li> <li>• Attaching S-Hook available.</li> </ul>

All pricing is valid for Walmart Impulse Strip Program Customers ONLY.





## WMS-23 Walmart® Style Clip Strip® "Heavy Duty" Merchandiser

- A Walmart Dept. 82 Approved Impulse Strip Program Product

- 12 Hook Hanging Stations • Hooks Spacing: 1.875" Apart
- Strip Height: 24.875"
- Header Measures: 2.125" W x 1.375" H
- Made of 50 mil Natural Polypropylene
- "China-to-China" goods available upon request

### WMS-23 Pricing:

Strip Only: 16¢

Strip With Printed Labels, NOT Applied:

19¢ for Fold-Over Label

20¢ for Two Printed Labels

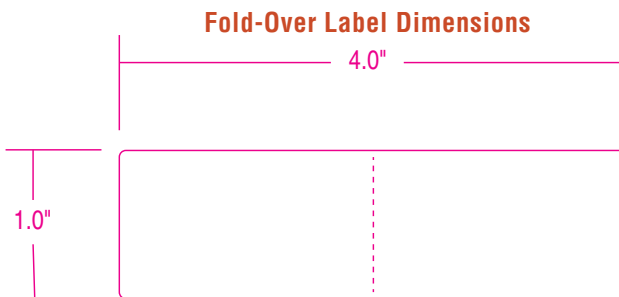
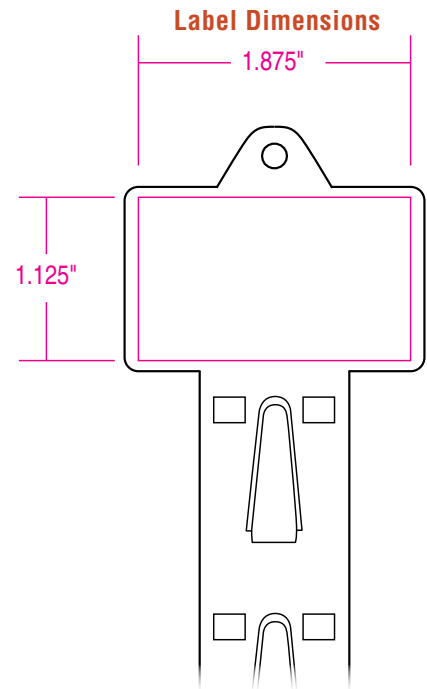
Strip With Labels, Printed & Applied: 31¢

Optional S-Hooks: See below for Pricing

MOQ: 400 Units



Posi-Lok™



All Illustrations (NOT ACTUAL SIZE)

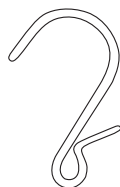
## Walmart Impulse Strip Program Accessories

Description of Product, 00ct 12345678 <b>\$0.00</b>	DEPARTMENT: # Modular Impulse Strip <i>Placed by</i> X00 Dept Name X00 Dept Name

**Fold-Over Printed Label:** Price: .03¢, Pack: 400

Description of Product, 00ct 12345678 <b>\$0.00</b>	DEPARTMENT: # Modular Impulse Strip <i>Placed by</i> X00 Dept Name X00 Dept Name

**Two Printed Labels, Front & Back Included**  
Price: .04¢, Pack: 400 Front / 400 Back



**S-Hook • Item# SH-75**  
Price: .025¢  
Pack: 400

<b>UPON REQUEST</b>
<ul style="list-style-type: none"> <li>• Hang Tabs available.</li> <li>• Strip Product Loading available.</li> <li>• Attaching S-Hook available.</li> </ul>

All pricing is valid for Walmart Impulse Strip Program Customers ONLY.





## WMS-FS-30 Walmart® Style Clip Strip® "Folding" Merchandiser

- A Walmart Dept. 82 Approved Impulse Strip Program Product

- 12 Hook Hanging Stations • Hooks Spacing: 2.0" Apart
- Strip Height: 25.1875" • Header Measures: 2.125" W x 1.375" H
- Perforated Every 1" for Folding
- Made of: 24 mil HDPE (High Density Polyethylene)
- "China-to-China" goods available upon request

### WMS-FS-30 Pricing:

Strip Only: 17.5¢

Strip With Printed Labels, NOT Applied:

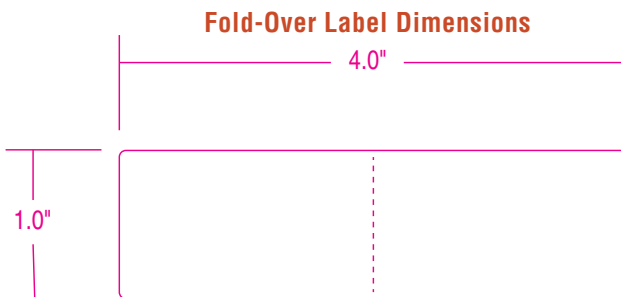
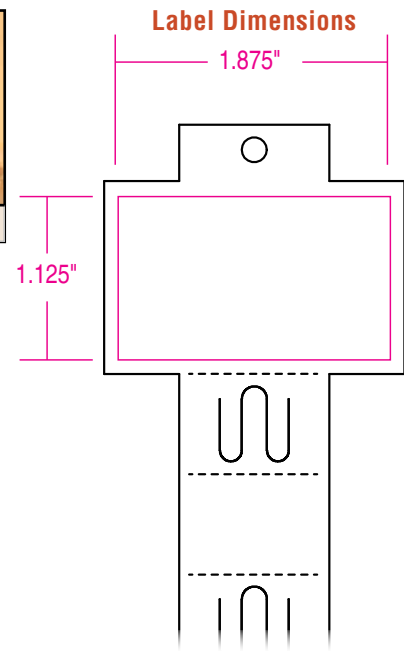
20.5¢ for Fold-Over Label

21.5¢ for Two Printed Labels

Strip With Labels, Printed & Applied: 31¢

Optional S-Hooks: See below for Pricing

MOQ: 400 Units



All Illustrations (NOT ACTUAL SIZE)

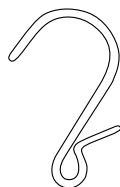
## Walmart Impulse Strip Program Accessories

Description of Product, 00ct 12345678 <b>\$0.00</b>	DEPARTMENT: # Modular Impulse Strip <i>Placed by</i> X00 Dept Name X00 Dept Name

**Fold-Over Printed Label:** Price: .03¢, Pack: 400

Description of Product, 00ct 12345678 <b>\$0.00</b>	DEPARTMENT: # Modular Impulse Strip <i>Placed by</i> X00 Dept Name X00 Dept Name

**Two Printed Labels, Front & Back Included**  
Price: .04¢, Pack: 400 Front / 400 Back



**S-Hook • Item# SH-75**  
Price: .025¢  
Pack: 400

<b>UPON REQUEST</b>
<ul style="list-style-type: none"> <li>• Hang Tabs available.</li> <li>• Strip Product Loading available.</li> <li>• Attaching S-Hook available.</li> </ul>

All pricing is valid for Walmart Impulse Strip Program Customers ONLY.

